

ERF6012, RF connector, BNC Right Angle, PCB Mount

Features

Mechanical Properties

Parameter:	Description
Connector Type:	BNC Right Angle PCB mount
Dimensions:	33.55 x 15.24 x 15.24 mm ± 0.1
Operating Temperature Range:	-20°C~+65°C
Storage Temperature Range:	-20°C~+65°C



Typical applications

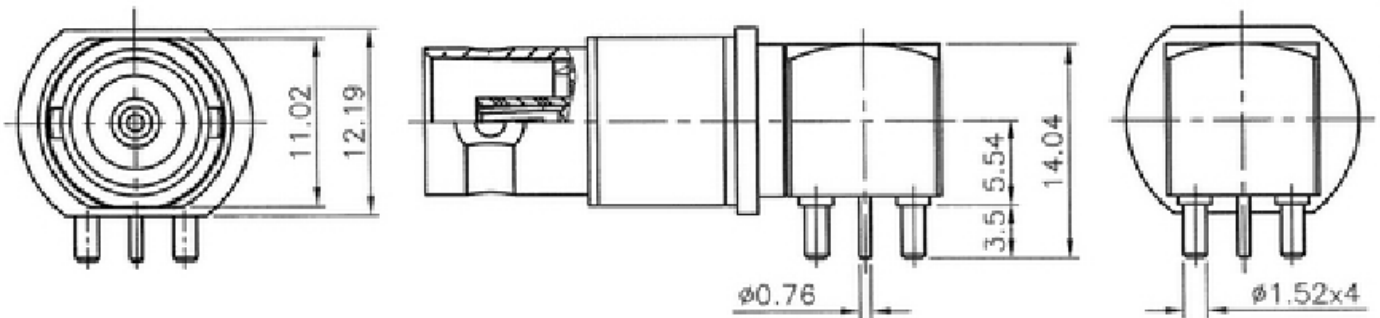
- RF connections
- Antenna connector
- Antenna cable connector

Description

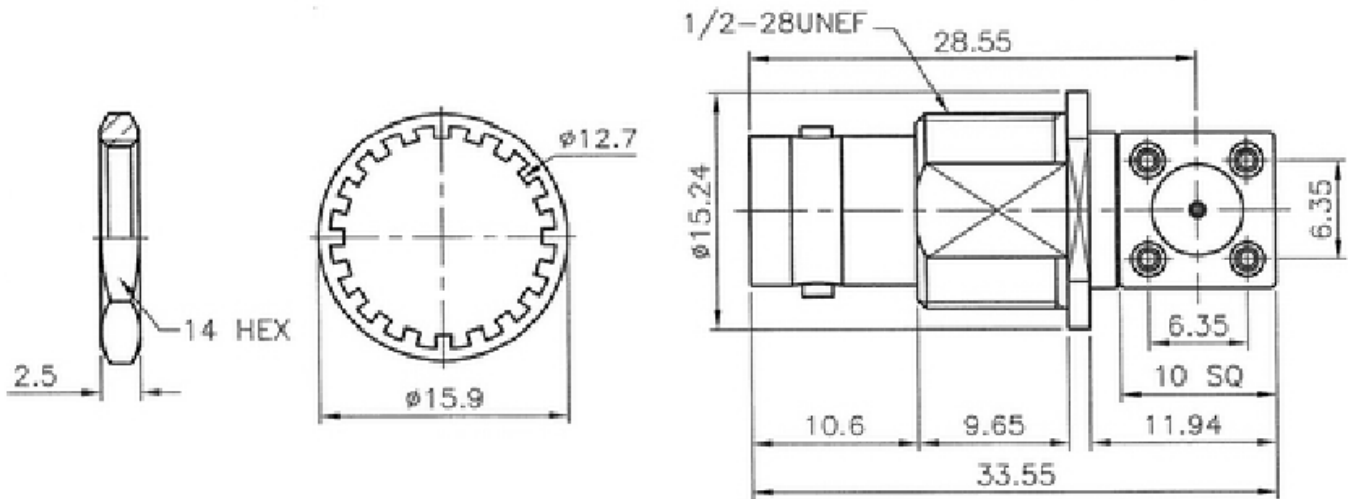
The ERF6012 is a RF connector suitable for RF applications. The connector is a BNC Right angle PCB mount connector. It can be used for RF connections and as antenna connector.

Dimensions

*unit: mm



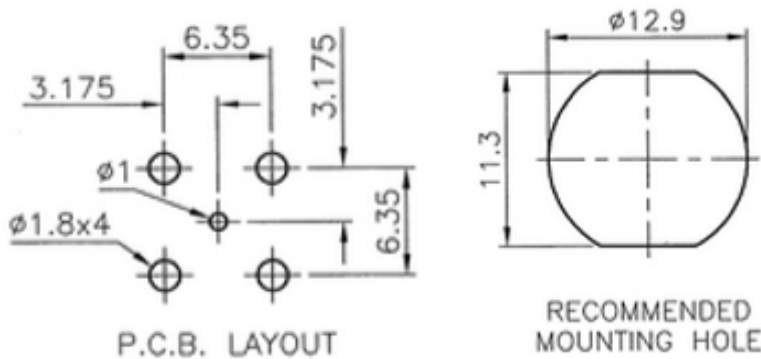
ERF6012, RF connector, BNC Right Angle, PCB Mount



Part	Description	Material	Finish
1	Nut	Brass	Nickel
2	Washer	SS41	Nickel
3	Insulator	Teflon	White
4	Lock Ring	Brass	Nickel
5	Contact pin	Phosphor Bronze	Gold
6	Insulator	Teflon	White
7	Body	Brass	Nickel
8	Cube body	Brass	Nickel

PCB Footprint

*unit: mm



ERF6012, RF connector, BNC Right Angle, PCB Mount

Ordering information

Ordering can be done via www.summit-electronics.com or via info@summit-electronics.com. Please contact us for more information. Customisation of the product is available on request.

Technical support

For all product questions please contact us via info@summit-electronics.com